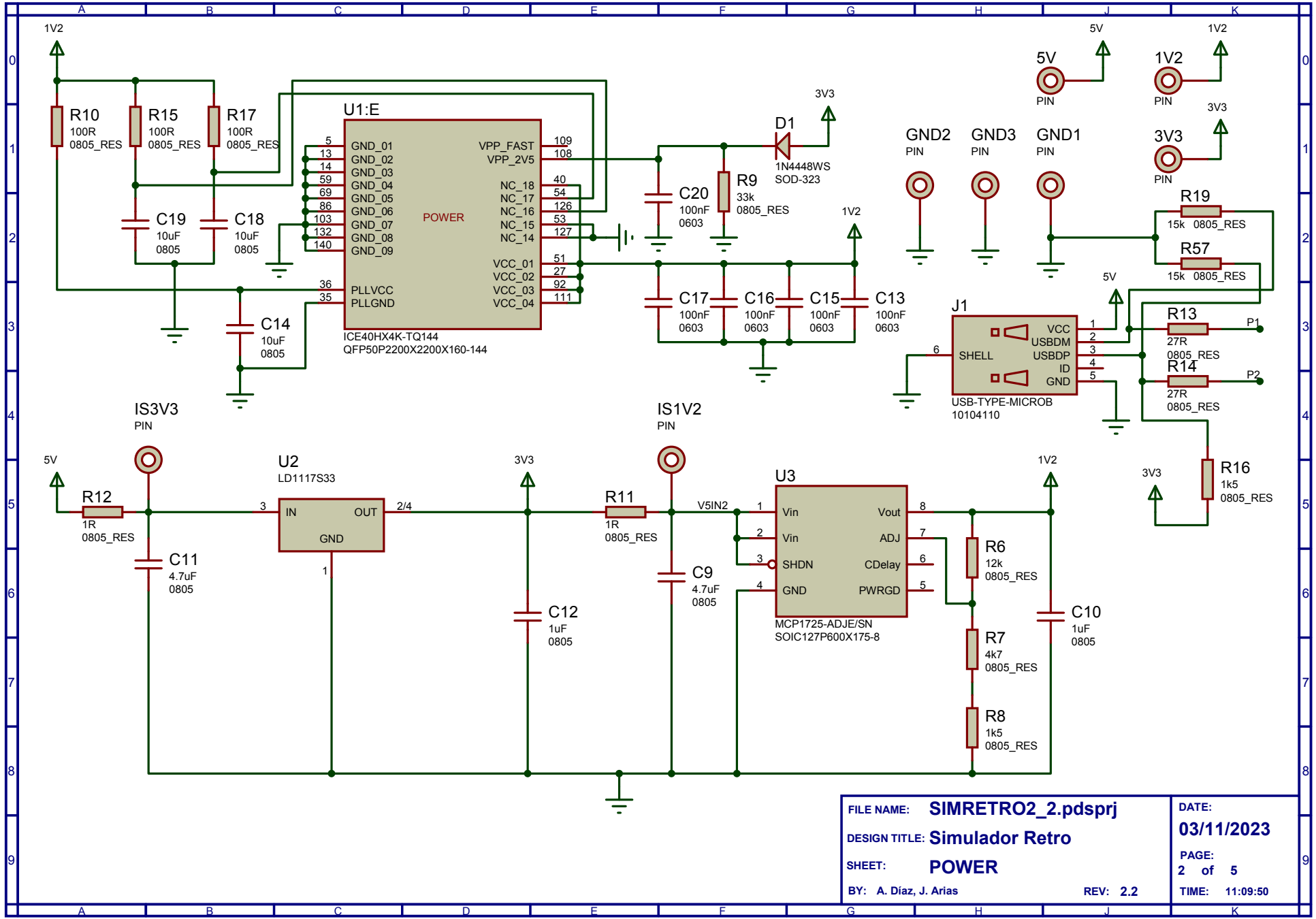


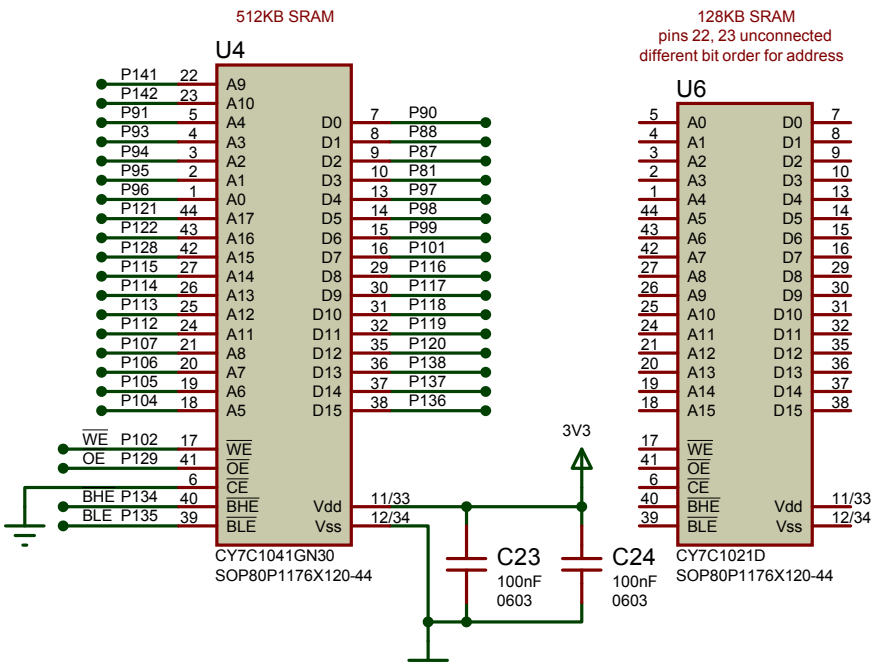
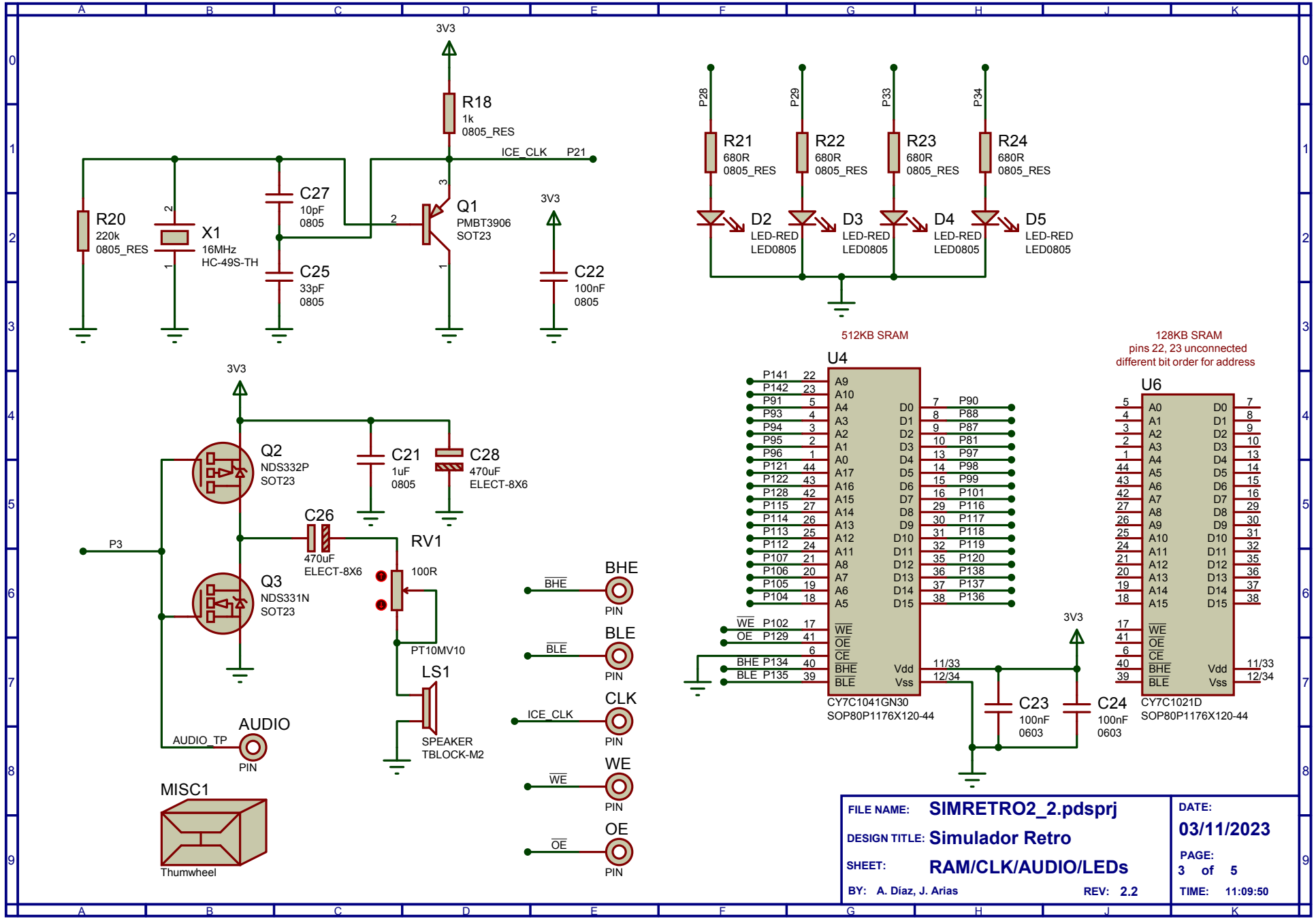
FILE NAME: **SIMRETRO2_2.pdsprj**
 DESIGN TITLE: **Simulador Retro**
 SHEET: **FPGA**
 BY: **A. Díaz, J. Arias**

DATE: **03/11/2023**
 PAGE: **1 of 5**
 TIME: **11:09:50**

REV: 2.2



FILE NAME: SIMRETRO2_2.pdsprj	DATE: 03/11/2023
DESIGN TITLE: Simulador Retro	PAGE: 2 of 5
SHEET: POWER	TIME: 11:09:50
BY: A. Díaz, J. Arias	REV: 2.2



FILE NAME: **SIMRETRO2_2.pdsprj**

DESIGN TITLE: **Simulador Retro**

SHEET: **RAM/CLK/AUDIO/LEDs**

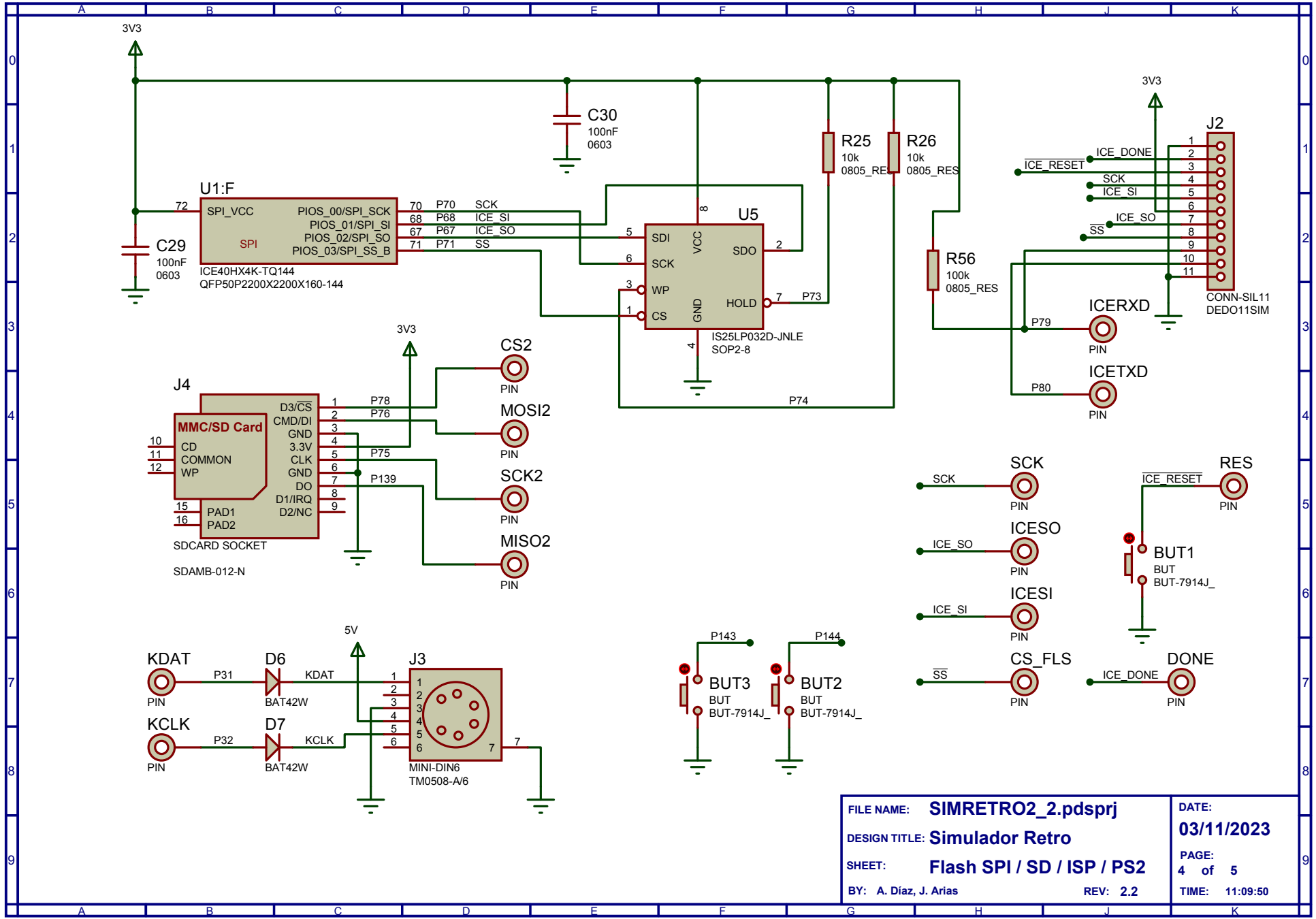
BY: **A. Díaz, J. Arias**

DATE: **03/11/2023**

PAGE: **3 of 5**

REV: **2.2**

TIME: **11:09:50**



FILE NAME: SIMRETRO2_2.pdsprj	DATE: 03/11/2023
DESIGN TITLE: Simulador Retro	PAGE: 4 of 5
SHEET: Flash SPI / SD / ISP / PS2	TIME: 11:09:50
BY: A. Díaz, J. Arias	REV: 2.2

