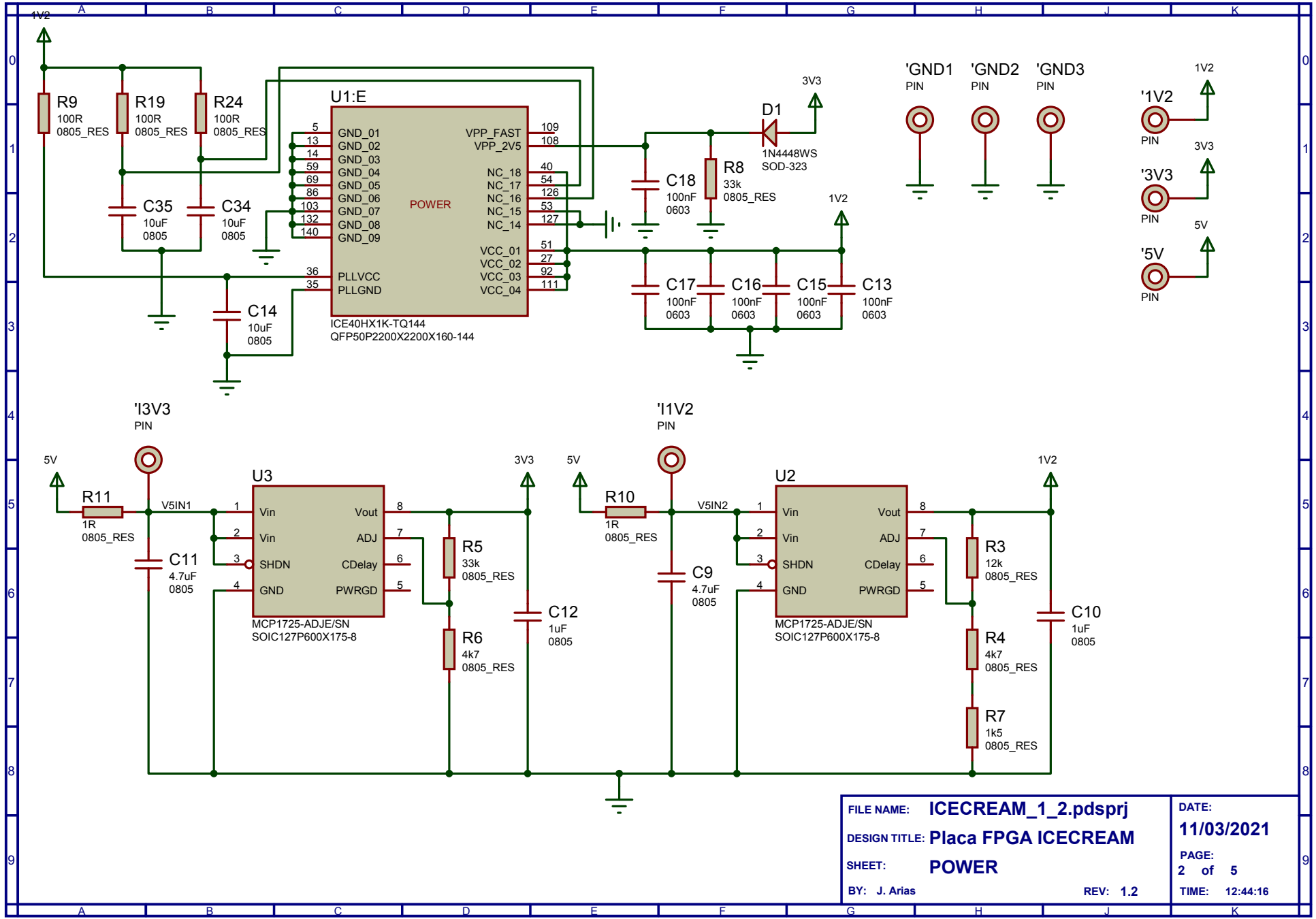
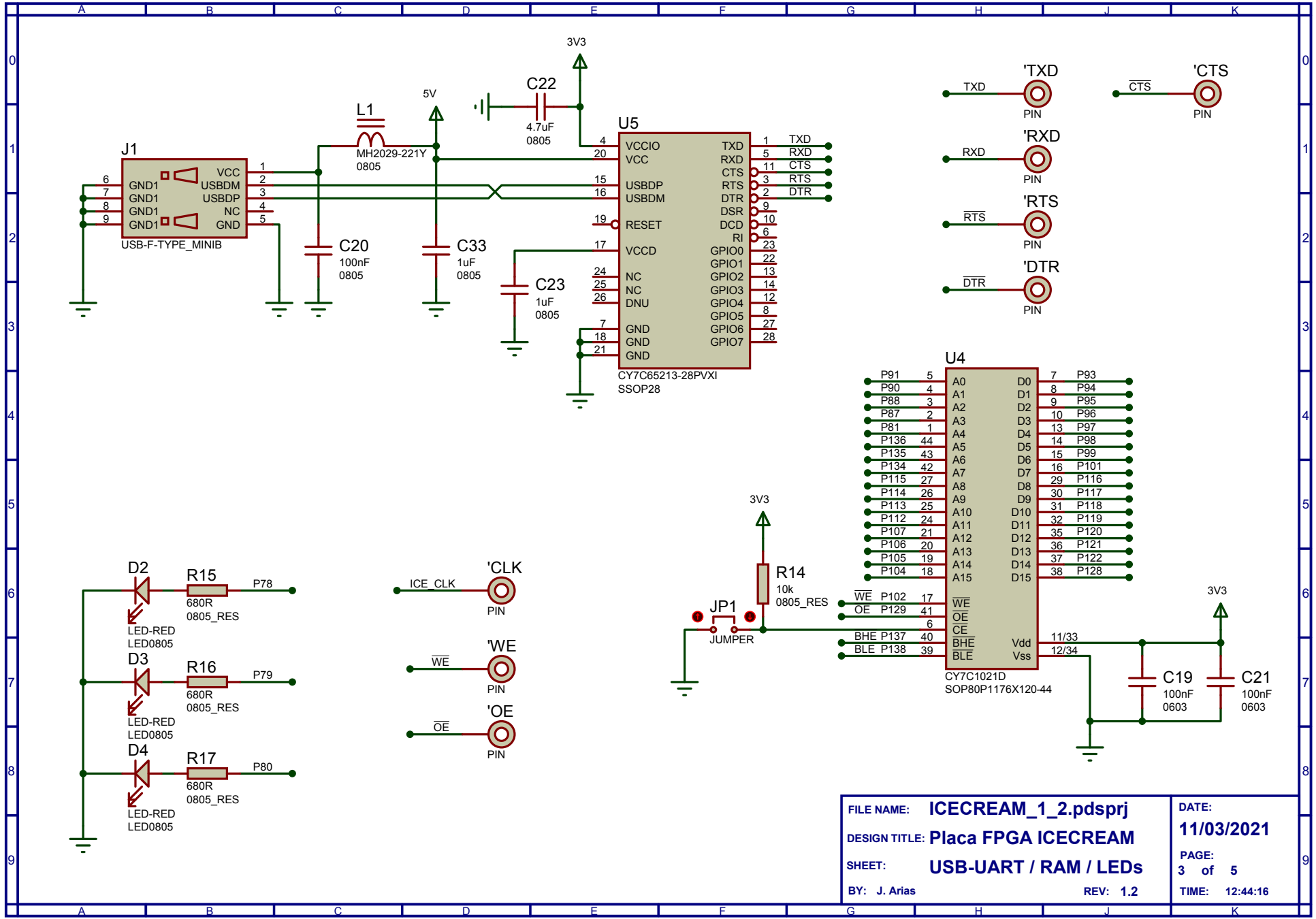


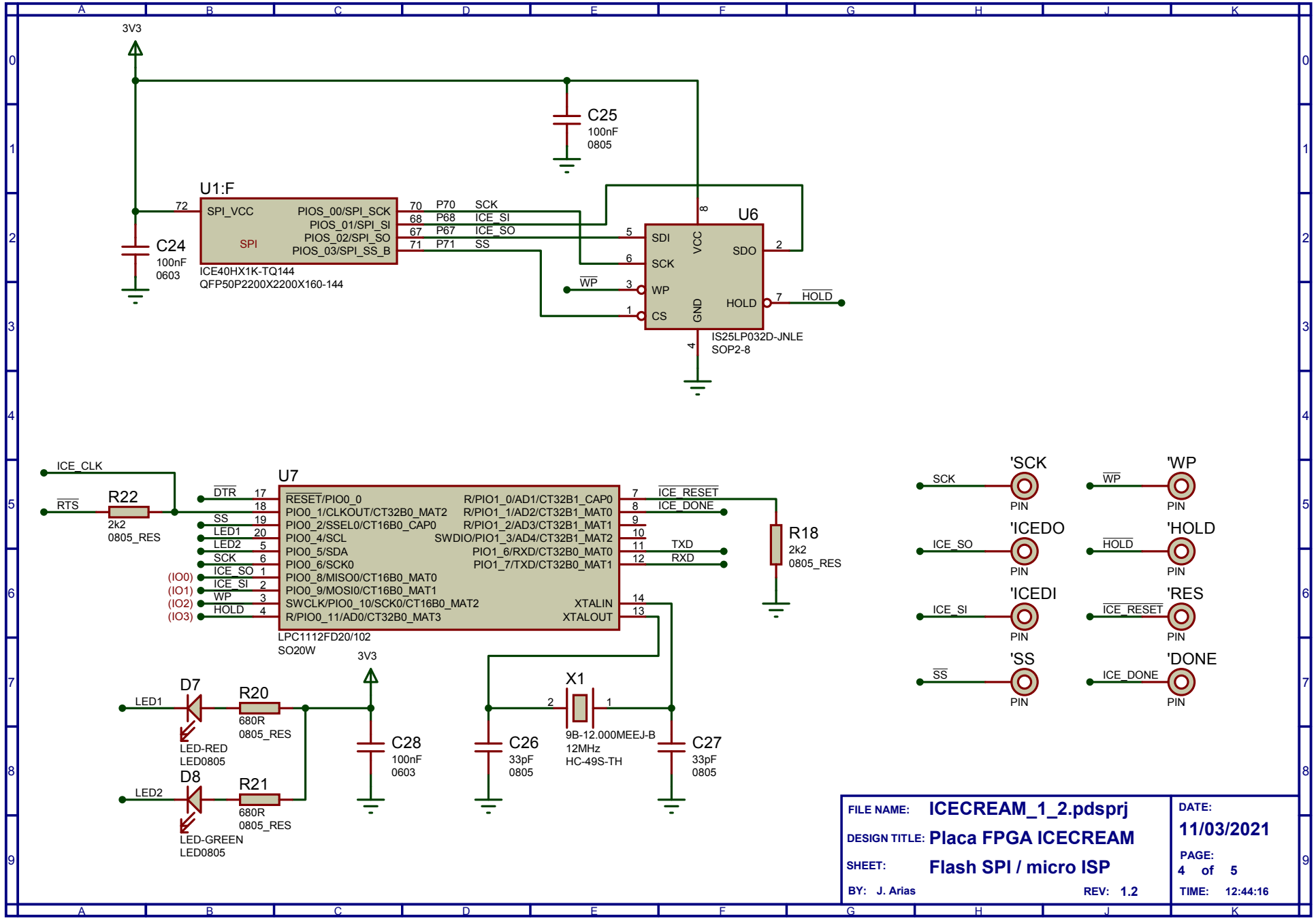
FILE NAME: ICECREAM_1_2.pdsprj	DATE: 11/03/2021
DESIGN TITLE: Placa FPGA ICECREAM	PAGE: 1 of 5
SHEET: FPGA	TIME: 12:44:16
BY: J. Arias	REV: 1.2



FILE NAME:	ICECREAM_1_2.pdsprj	DATE:	11/03/2021
DESIGN TITLE:	Placa FPGA ICECREAM	PAGE:	2 of 5
SHEET:	POWER	TIME:	12:44:16
BY: J. Arias	REV: 1.2		



FILE NAME: ICECREAM_1_2.pdsprj	DATE: 11/03/2021
DESIGN TITLE: Placa FPGA ICECREAM	PAGE: 3 of 5
SHEET: USB-UART / RAM / LEDs	TIME: 12:44:16
BY: J. Arias	REV: 1.2



FILE NAME: ICECREAM_1_2.pdsprj	DATE: 11/03/2021
DESIGN TITLE: Placa FPGA ICECREAM	PAGE: 4 of 5
SHEET: Flash SPI / micro ISP	TIME: 12:44:16
BY: J. Arias	REV: 1.2

